



东莞市安都电子有限公司

Dongguan Andu Electronic CO.,LTD

安都電子有限公司

TEL:0769-22678486

FAX:0769-22678586

產品規格承認書

SPECIFICATION FOR APPROVAL

客戶名稱 CUSTOMER	
產品名稱 PRODUCT NAME	汽车插片保险丝
型號規格 MODEL DETAIL	MAX
承認日期 APPROVAL DATE	

編制	經理	業務
PREPARED	MANAGER	OPERATION
姚本发	谢德贵	

承認	審核	批准
SIGNATURE	CHECKED BY	APPROVAL BY

備註:承認簽章後請回復一份承認書(或影本)給我們,其餘的您們留作存檔。如果在簽章的承認(或影本)回復給我們之前,下了有關此零件的訂單且又無特別說明,那麼我們就確定您們已完全承認了。

Please return one specificatio

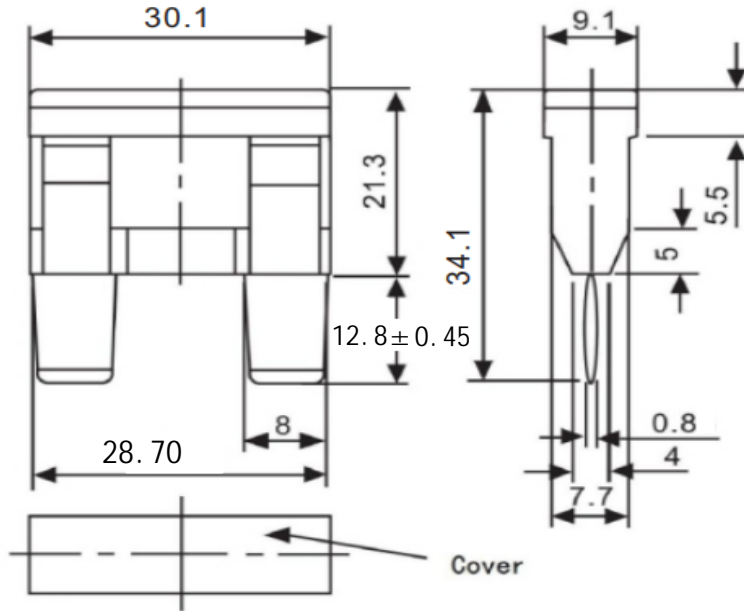
n or one copy of it with your chop and signature of approval and retain the others for your record. In the event of an order being placed for this part number before the chop and signed with specification (or copy) is returned and without special explanation, it will be assumed that full approval have been given.



东莞市安都电子有限公司

Dongguan Andu Electronic CO., LTD

尺寸 Dimensions (mm)



尺寸公差：± 0.3mm

规格

中断级别: 1000A @ 63 VDC
额定电压: 63 VDC
工作温度范围: - 40°C + 200°C
接线端子: 铜镀锡
外壳材料: 尼龙
符合: 符合 SAE j1888
ISO 8820-3:2002(E)

Specifications

Interrupting Rating: 1000A @ 63 VDC
Voltage Rating: 63 VDC
Operating Temperature Range: -40°C to +200°C
Terminals: Copper tin plating
Housing Materials: N L
Complies with: Meets SAE J1888
ISO 8820-3:2002 (E)

产品认证:

Product certification:





电流时间特性 Time-Current Characteristics:

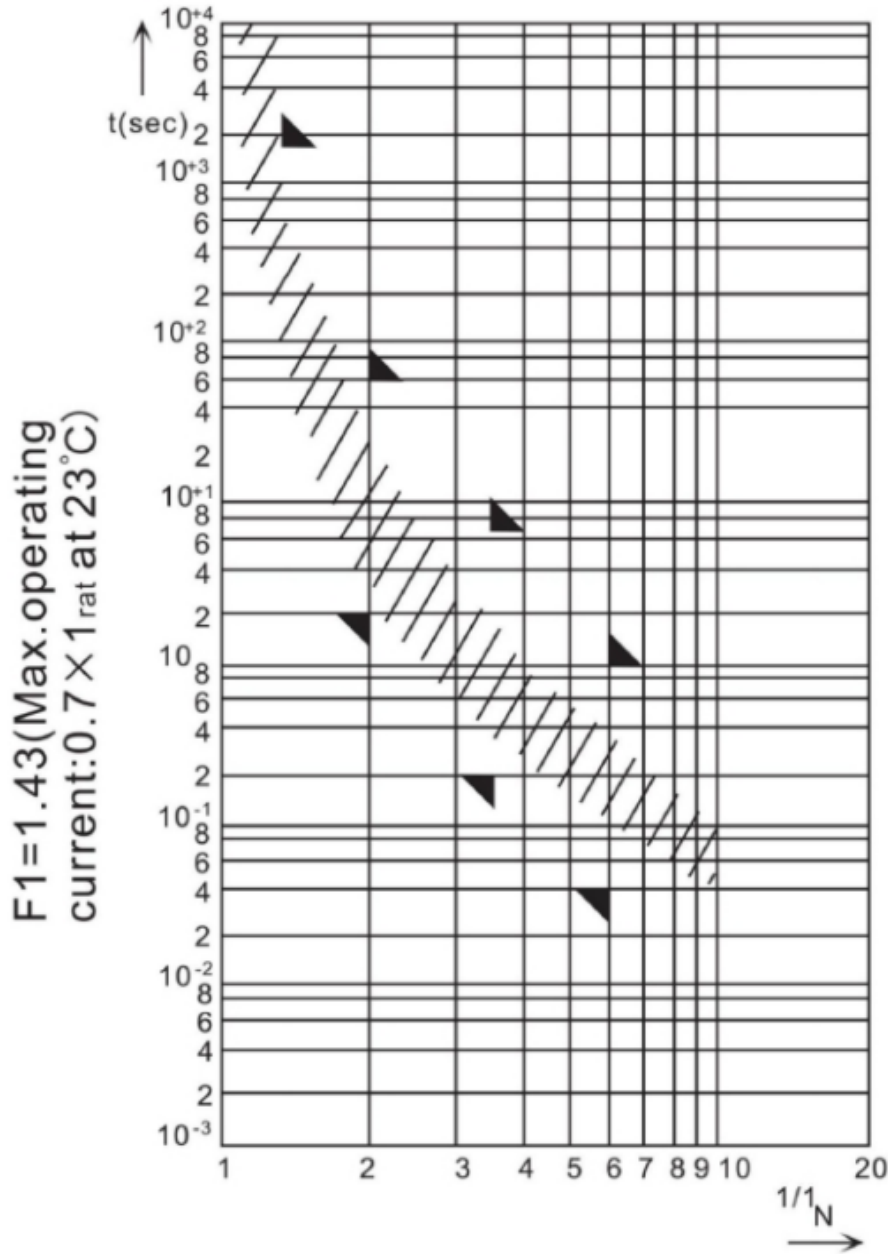
% of Rating	Opening Time	
	MINI	MAX
110	360000S	/
135	/	1800S
200	2S	60S
350	0.2S	7 S
600	0.04S	1S

Part Number	Current Rating	Voltage Rating (VDC)	Typ. Voltage Drop	Cold Resistance	I ² t	Housing Color
ADMAX2-20	20A	63	76 mV	3.8 mΩ	1100 A ² s	Yellow
ADMAX2-25	25A	63	75 mV	3.2 mΩ	2087 A ² s	Grey
ADMAX2-30	30A	63	77 mV	2.60mΩ	4070 A ² s	Green
ADMAX2-40	40A	63	75 mV	2.0mΩ	6032 A ² s	Amber
ADMAX2-50	50A	63	75 mV	1.67mΩ	8450 A ² s	Red
ADMAX2-60	60A	63	73 mV	1.1 mΩ	11300A ² s	Blue
ADMAX2-70	70A	63	77 mV	1.05mΩ	15300A ² s	Brown
ADMAX2-80	80A	63	61 mV	1.02mΩ	6900A ² s	White
ADMAX2-100	100A	63	52 mV	0.97 mΩ	9600A ² s	Brown



时间-电流特性曲线

Time-Current Characteristic Curves





温度评估曲线
Temperature Rerating Curve

Temperature Rerating Curve

